

C Series Parts List



**ISO 9001
CERTIFIED**



**Waukesha
Cherry-Burrell**

® An SPX Process Equipment Operation

C Series Parts

Table of Contents

C Series Centrifugal Pump Parts List

Pricing in U.S. Dollars

C-100 PUMP PARTS LIST	4
C-114 PUMP PARTS LIST	6
C-216 PUMP PARTS LIST	8
C-218 PUMP PARTS LIST	10
C-328 PUMP PARTS LIST	12
DG SEAL PARTS LIST	14
E SEAL PARTS LIST	16
C SERIES KIT PARTS LIST	18

C-100 PUMP PARTS LIST

ITEM NO.	DESCRIPTION	QTY. PER PUMP	PART NO.	NOTES
1	Casing, 1.5" x 1" w/ S-Line Ports	1	60000	1, 4
2	Impeller, Full 3.68" Diameter	2	60026	2, 4
6	Stub Shaft, 56C Frame	1	60050	
	Stub Shaft, 143TC - 145TC Frame	1	60051	
6A	Shaft Set Screw	2	30-22	
11	Backplate	1	60597	4
* 24	Impeller Retainer	1	60039	
40	Deflector, 56C - 145TC Frame	1	60042	
71	Adapter, 56C Frame	1	60596	
	Adapter, 143TC - 145TC Frame	1	60600	
71B	Adapter Mounting Bolt	4	30-30	
75K	Wing Nut	2	60083	
* 80	Carbon Seal	1	60084	
80A	Cup	1	60088	
* 80B	Seal O-Ring, Buna N	1	N70214	
* 80B	Seal O-Ring, FKM	1	V70214	
80C	Spring	1	60091	
* 90	Casing O-Ring, Buna N	1	N70153	
* 90	Casing O-Ring, FKM	1	V70153	

PL5050-CH1

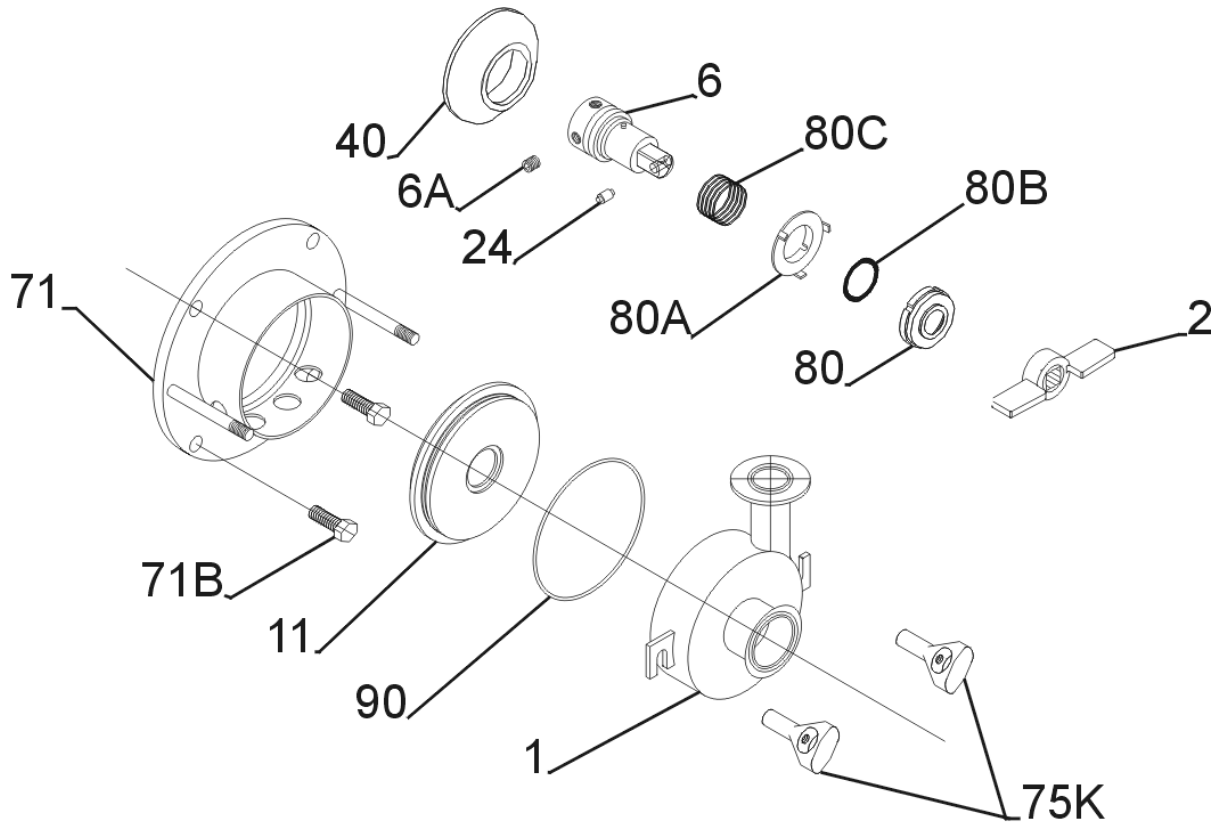
NOTES:

Price of each F.O.B. Delavan, WI, subject to change without notice.

*** Recommended Spare Parts - also available in kits - see page 15.**

1. For casings with Bevel threaded, Female I-Line, NPT, or Flanged connections, please contact factory.
2. Contact factory for trimmed impeller part numbers. Specify diameter required on order.
4. Contact factory if casing drain, passivation, or optional finish is required.

C-100 PUMP PARTS DIAGRAM



CT100-053

Shown with the standard type "D" seal.

C-114 PUMP PARTS LIST

ITEM NO.	DESCRIPTION	QTY. PER PUMP	PART NO.	NOTES
1	Casing, 1-1/2" x 1-1/2" w/ S-Line Ports	1	60001	1, 4
	Casing, 2" x 1-1/2" w/ S-Line Ports	1	60002	1, 4
2	Impeller, Full 4" Diameter	1	60027	2, 4
6	Stub Shaft, 56C Frame	1	60052	
	Stub Shaft, 143TC - 145TC Frame	1	60053	
	Stub Shaft, 182TC - 184TC Frame	1	60054R2	
6A	Shaft Set Screw	2	30-22	
11	Backplate	1	60010	4, 5
11F	Backplate Pin	2	60013	
* 24	Impeller Retainer	1	60039	
40	Deflector, 56C - 145TC Frame	1	60042	
	Deflector, 182TC - 184TC Frame	1	60043	
71	304 SS Adapter, 56C - 145TC Frame	1	60748	
	304 SS Adapter, 182TC - 184TC Frame	1	60749	
71A	Adapter Pin	2	30-434	
71B	Adapter Mounting Bolt, 56C - 145TC Frame	4	30-60	
	Adapter Mounting Bolt, 182TC - 184TC Frame	4	30-78	
75	Clamp Assembly	1	60080	
75K	Wing Nut	1	60083	
* 80	Carbon Seal	1	60085	
80A	Cup	1	60088	
* 80B	Seal O-Ring, Buna N	1	N70210	
* 80B	Seal O-Ring, FKM	1	V70210	
80C	Spring	1	60091	
80K	Set Screw	2	30-662	
80L	Drive Collar	1	60094R1	
* 90	Casing Gasket, Buna N	1	60099	
* 90	Casing Gasket, FKM	1	60100	
131	Guard Assembly, 56C - 145TC Frame	1	60782	
	Guard Assembly, 182TC - 184TC Frame	1	60783	

PL5050-CH2

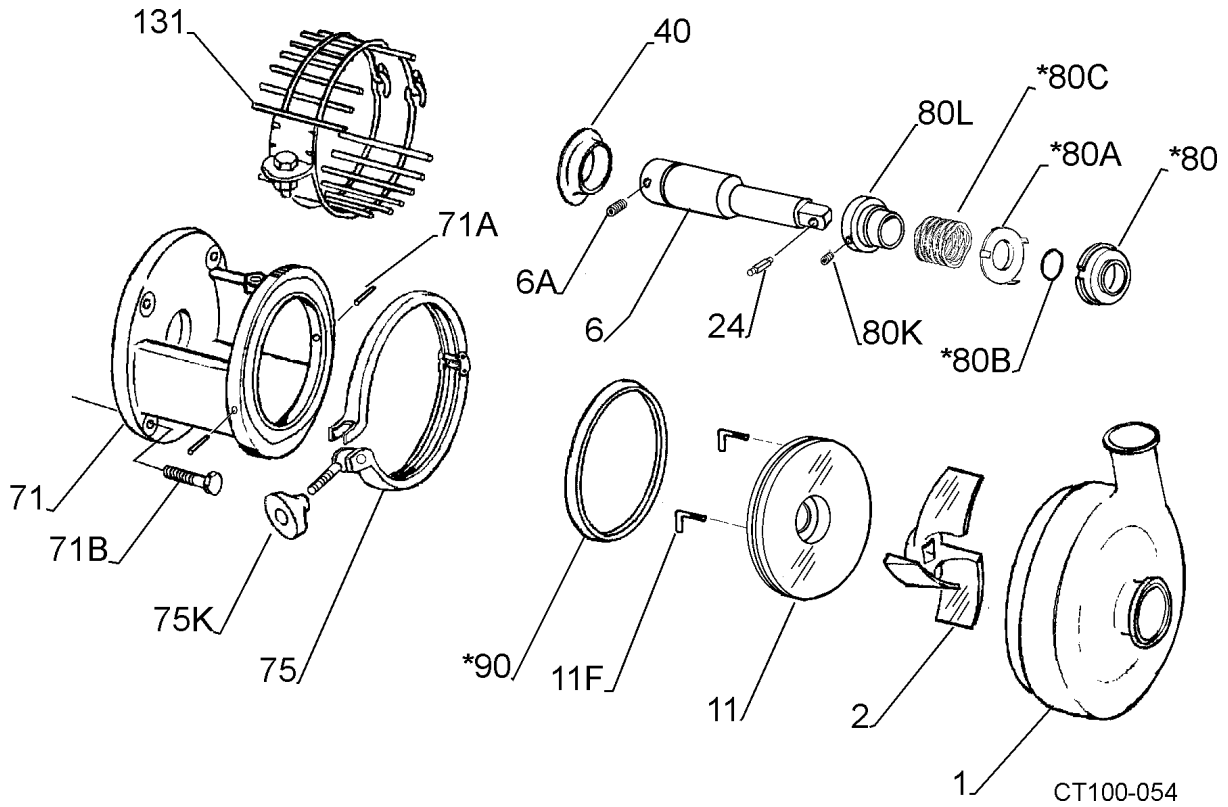
NOTES:

Price of each F.O.B. Delavan, WI, subject to change without notice.

* Recommended Spare Parts - also available in kits - see page 15.

1. For casings with Bevel threaded, Female I-Line, NPT, or Flanged connections, please contact factory.
2. Contact factory for trimmed impeller part numbers. Specify diameter required on order.
4. Contact factory if casing drain, passivation, or optional finish is required.
5. Used with standard "D" seal only.

C-114 PUMP PARTS DIAGRAM



Shown with standard type "D" seal.

For other optional seals see "Type 'E' Water Cooled Double Balanced Seal Option" on pages 13 & 14 and "Type 'DG' Seal Assembly Options" on pages 11 & 12.

C-216 PUMP PARTS LIST

ITEM NO.	DESCRIPTION	QTY. PER PUMP	PART NO.	NOTES
1	Casing, 2" x 1-1/2" w/ S-Line Ports	1	60003	1, 4
	Casing, 2-1/2" x 1-1/2" w/ S-Line Ports	1	60004	1, 4
2	Impeller, Full 6" Diameter	1	60028	2, 4
6	Stub Shaft, 56C Frame	1	60055	
	Stub Shaft, 143TC - 145TC Frame	1	60056	
	Stub Shaft, 182TC - 184TC Frame	1	60057	
	Stub Shaft, 213TC - 215TC Frame	1	60058R3	
	Stub Shaft, 254TC - 256TC Frame	1	60059R3	
6A	Shaft Set Screw, 56C - 184TC Frame	2	30-38	
	Shaft Set Screw, 213TC - 256TC Frame	4	30-38	
11	Backplate	1	60011	4, 5
11F	Backplate Pin	2	60013	
* 24	Impeller Retainer	1	60040	
40	Deflector, 56C - 184TC Frame	1	60044	
	Deflector, 213TC - 215TC Frame	1	60045	
	Deflector, 254TC - 256TC Frame	1	60046	
71	304 SS Adapter, 56C - 145TC Frame	1	60750	
	304 SS Adapter, 182TC - 184TC Frame	1	60751	
	304 SS Adapter, 213TC - 215TC Frame	1	60752	
	304 SS Adapter, 254TC - 256TC Frame	1	60753	
71A	Adapter Pin	2	30-434	
71B	Adapter Mounting Bolt, 56C - 145TC Frame	4	30-60	
	Adapter Mounting Bolt, 182TC - 256TC Frame	4	30-78	
75	Clamp Assembly	1	60081	
75K	Wing Nut	1	60083	
* 80	Carbon Seal	1	60086	
80A	Cup	1	60089	
* 80B	Seal O-Ring, Buna N	1	N70216	
* 80B	Seal O-Ring, FKM	1	V70216	
80C	Spring	1	60092	
80K	Set Screw	2	30-178	
80L	Drive Collar	1	60095R1	
* 90	Casing Gasket, Buna N	1	60101	
* 90	Casing Gasket, FKM	1	60102	
131	Guard Assembly, 56C - 145TC	1	60784	
	Guard Assembly, 182TC - 184TC	1	60785	
	Guard Assembly, 213TC - 215TC	1	60786	
	Guard Assembly, 254TC - 256TC	1	60787	

PL5050-CH3

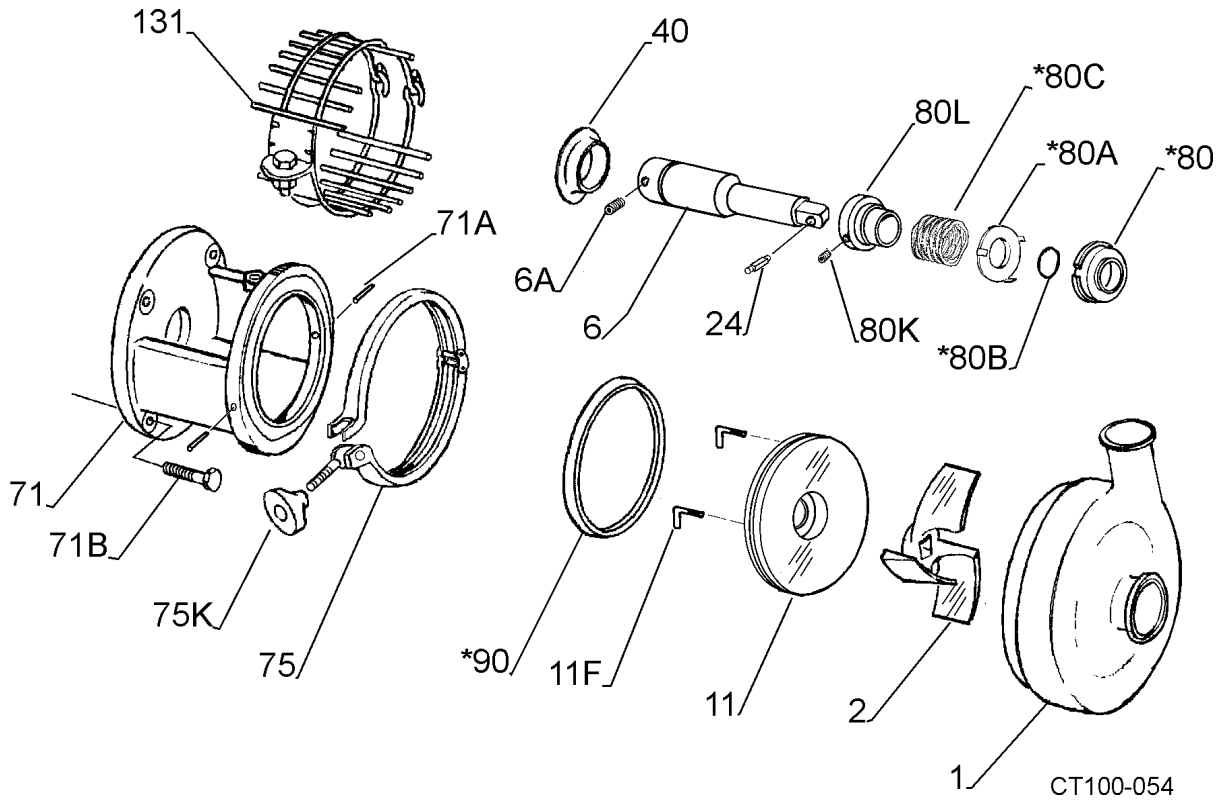
NOTES:

Price of each F.O.B. Delavan, WI, subject to change without notice.

* Recommended Spare Parts - also available in kits - see page 15.

1. For casings with Bevel threaded, Female I-Line, NPT, or Flanged connections, please contact factory.
2. Contact factory for trimmed impeller part numbers. Specify diameter required on order.
4. Contact factory if casing drain, passivation, or optional finish is required.
5. Used with standard "D" seal only.

C-216 PUMP PARTS DIAGRAM



Shown with standard type "D" seal.

For other optional seals see "Type 'E' Water Cooled Double Balanced Seal Option" on pages 13 & 14 and "Type 'DG' Seal Assembly Options" on pages 11 & 12.

C-218 PUMP PARTS LIST

ITEM NO.	DESCRIPTION	QTY. PER PUMP	PART NO.	NOTES
1	Casing, 2" x 1-1/2" w/ S-Line Ports	1	60005R2	1, 4
	Casing, 3" x 1-1/2" w/ S-Line Ports	1	60006	1, 4
2	Impeller, Full 8" Diameter	1	60029	2, 4
6	Stub Shaft, 143TC - 145TC Frame	1	60060	
	Stub Shaft, 182TC - 184TC Frame	1	60061	
	Stub Shaft, 213TC - 215TC Frame	1	60062	
	Stub Shaft, 254TC - 256TC Frame	1	60063	
	Stub Shaft, 284TSC - 286TSC	1	60064	
	Stub Shaft, 284TC - 286TC Frame	1	60533	
6A	Shaft Set Screw, 143TC - 184TC Frame	2	30-38	
	Shaft Set Screw, 213TC - 286TC Frame	4	30-38	
11	Backplate	1	60012	4, 5
11F	Backplate Pin	2	60013	
* 24	Impeller Retainer	1	60041	
40	Deflector, 143TC - 184TC Frame	1	60047	
	Deflector, 213TC - 256TC Frame	1	60046	
	Deflector, 284TSC - 286TC Frame	1	60048	
71	304 SS Adapter, 143TC - 145TC Frame	1	60754	
	304 SS Adapter, 182TC - 184TC Frame	1	60755	
	304 SS Adapter, 213TC - 215TC Frame	1	60756	
	304 SS Adapter, 254TC - 256TC Frame	1	60757	
	304 SS Adapter, 284TSC - 286TC Frame	1	60758	
71A	Adapter Pin	2	30-434	
71B	Adapter Mounting Bolt, 143TC - 145TC Frame	4	30-60	
	Adapter Mounting Bolt, 182TC - 286TC Frame	4	30-78	
75	Clamp Assembly	1	60082	
75K	Wing Nut	1	60083	
* 80	Carbon Seal	1	60087	
80A	Cup	1	60090	
* 80B	Seal O-Ring, Buna N	1	N70222	
* 80B	Seal O-Ring, FKM	1	V70222	
80C	Spring	1	60093	
80K	Set Screw	2	30-178	
80L	Drive Collar	1	60096R1	
* 90	Casing Gasket, Buna N	1	60103	
* 90	Casing Gasket, FKM	1	60104	
131	Guard Assembly, 143TC - 145TC Frame	1	60788	
	Guard Assembly, 182TC - 184TC Frame	1	60789	
	Guard Assembly, 213TC - 215TC Frame	1	60790	
	Guard Assembly, 254TC - 256TC Frame	1	60791	
	Guard Assembly, 284TSC - 286TC Frame	1	60792	

PL5050-CH4

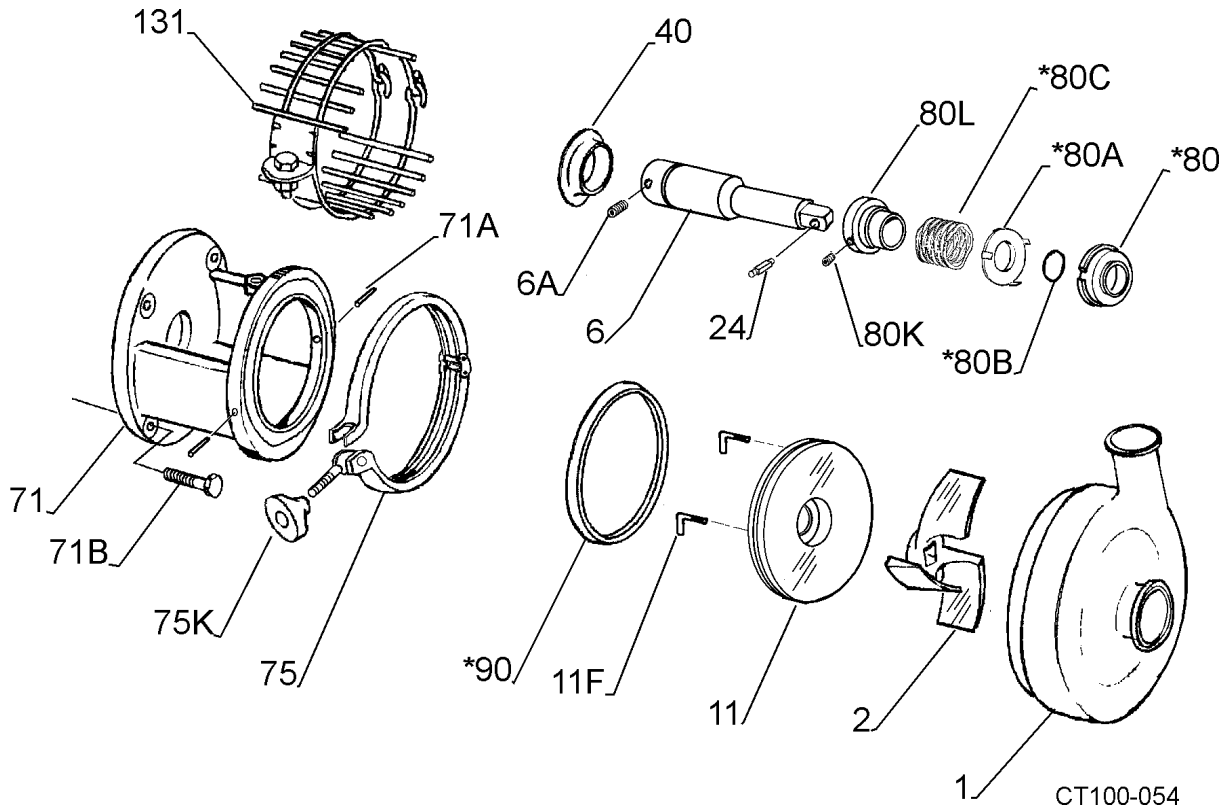
NOTES:

Price of each F.O.B. Delavan, WI, subject to change without notice.

* Recommended Spare Parts - also available in kits - see page 15.

1. For casings with Bevel threaded, Female I-Line, NPT, or Flanged connections, please contact factory.
2. Contact factory for trimmed impeller part numbers. Specify diameter required on order.
4. Contact factory if casing drain, passivation, or optional finish is required.
5. Used with standard "D" seal only.

C-218 PUMP PARTS DIAGRAM



Shown with standard type "D" seal.

For other optional seals see "Type 'E' Water Cooled Double Balanced Seal Option" on pages 13 & 14 and "Type 'DG' Seal Assembly Options" on pages 11 & 12.

C-328 PUMP PARTS LIST

ITEM NO.	DESCRIPTION	QTY. PER PUMP	PART NO.	NOTES
1	Casing, 3" x 2" w/ S-Line Ports	1	60007	1, 4
	Casing, 4" x 2" w/ S-Line Ports	1	60008	1, 4
2	Impeller, Full 8" Diameter	1	60030	2, 4
6	Stub Shaft, 182TC - 184TC Frame	1	60061	
	Stub Shaft, 213TC - 215TC Frame	1	60062	
	Stub Shaft, 254TC - 256TC Frame	1	60063	
	Stub Shaft, 284TSC - 286TSC Frame	1	60064	
	Stub Shaft, 284TC - 286TC Frame	1	60533	
	Stub Shaft, 324TSC - 326TSC Frame	1	60065	
	Stub Shaft, 324TC - 326TC Frame	1	60532	
6A	Shaft Set Screw, 182TC - 184TC Frame	2	30-38	
	Shaft Set Screw, 213TC - 326TC Frame	4	30-38	
11	Backplate	1	60012	4, 5
11F	Backplate Pin	2	60013	
* 24	Impeller Retainer	1	60041	
40	Deflector, 182TC - 184TC Frame	1	60047	
	Deflector, 213TC - 256TC Frame	1	60046	
	Deflector, 284TSC - 286TC Frame	1	60048	
	Deflector, 324TSC - 326TC Frame	1	60049	
71	304 SS Adapter, 182TC - 184TC Frame	1	60755	
	304 SS Adapter, 213TC - 215TC Frame	1	60756	
	304 SS Adapter, 254TC - 256TC Frame	1	60757	
	304 SS Adapter, 284TSC - 286TC Frame	1	60758	
	304 SS Adapter, 324TSC - 326TC Frame	1	60759	
71A	Adapter Pin	2	30-434	
71B	Adapter Mounting Bolt, 182TC - 286TC Frame	4	30-78	
	Adapter Mounting Bolt, 324TC - 326TC Frame	4	30-24	
75	Clamp Assembly	1	60082	
75K	Wing Nut	1	60083	
* 80	Carbon Seal	1	60087	
80A	Cup	1	60090	
* 80B	Seal O-Ring, Buna N	1	N70222	
* 80B	Seal O-Ring, FKM	1	V70222	
80C	Spring	1	60093	
80K	Set Screw	2	30-178	
80L	Drive Collar	1	60096R1	
* 90	Casing Gasket, Buna N	1	60103	
* 90	Casing Gasket, FKM	1	60104	
131	Guard Assembly, 182TC - 184TC Frame	1	60789	
	Guard Assembly, 213TC - 215TC Frame	1	60790	
	Guard Assembly, 254TC - 256TC Frame	1	60791	
	Guard Assembly, 284TSC - 286TC Frame	1	60792	
	Guard Assembly, 324TSC - 326TC Frame	1	60793	

PL5050-CH5

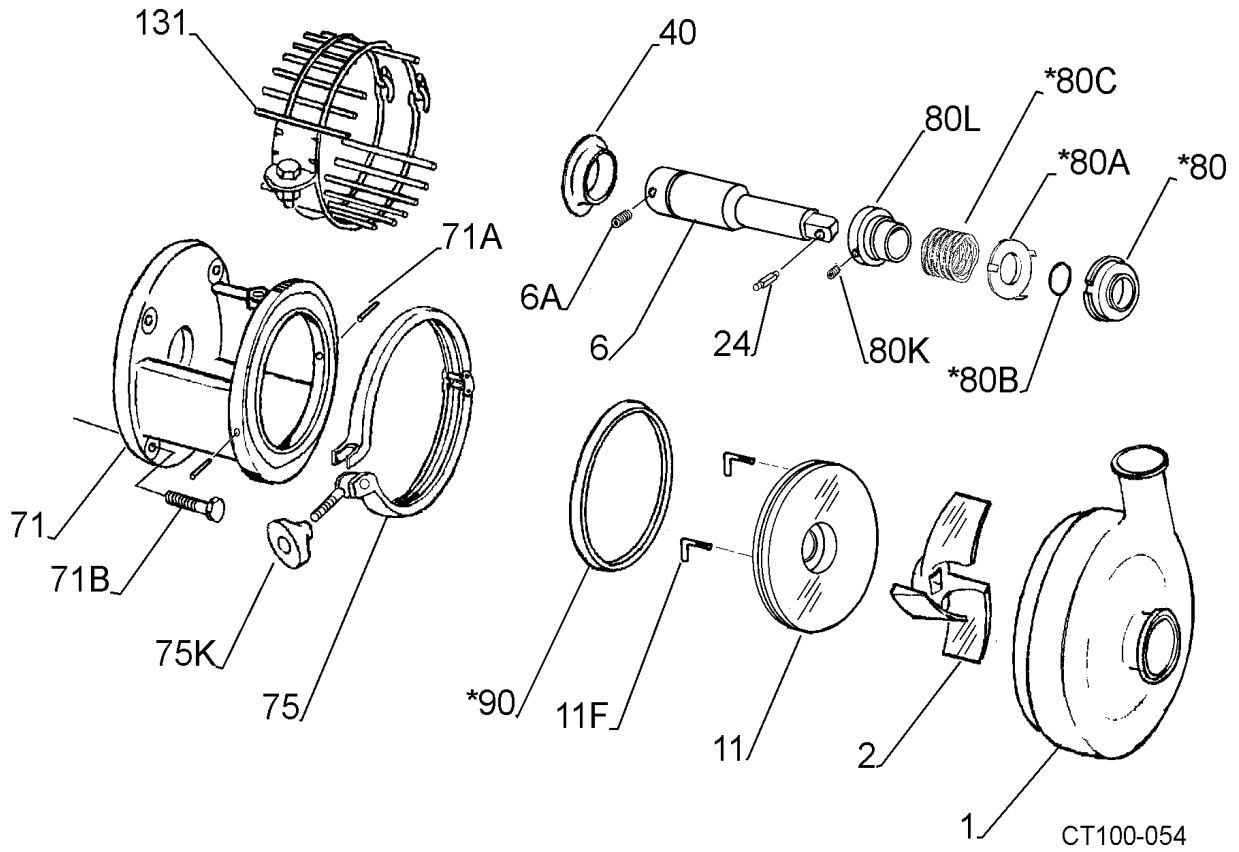
NOTES:

Price of each F.O.B. Delavan, WI, subject to change without notice.

* Recommended Spare Parts - also available in kits - see page 15.

1. For casings with Bevel threaded, Female I-Line, NPT, or Flanged connections, please contact factory.
2. Contact factory for trimmed impeller part numbers. Specify diameter required on order.
4. Contact factory if casing drain, passivation, or optional finish is required.
5. Used with standard "D" seal only.

C-328 PUMP PARTS DIAGRAM



Shown with standard type "D" seal.

For other optional seals see "Type 'E' Water Cooled Double Balanced Seal Option" on pages 13 & 14 and "Type 'DG' Seal Assembly Options" on pages 11 & 12.

DG SEAL PARTS LIST

C-114 DG SEAL

ITEM NO.	DESCRIPTION	QTY. PER PUMP	PART NO.	NOTES
11H	Backplate	1	60481	4
17J	Gland Ring	1	60484	
17K	Stud	4	60890	
17M	Lockwasher	4	43-22	
17N	Nut	4	36-53	
* 80R	PTFE Gasket - Inboard; 1/8 Thick	1	60760	
* 80N	Seal Seat, Silicone Carbide	1	113670	
* 80N	Seal Seat, Ceramic	1	113671	
* 80N	Seal Seat, Tungsten Carbide	1	113669	
* 80N	Seal Seat, Siliconized Graphite	1	60374	
* 80P	PTFE Gasket - Outboard; 1/16 Thick	2	60377	

PL5050-CH6

C-216 DG SEAL

ITEM NO.	DESCRIPTION	QTY. PER PUMP	PART NO.	NOTES
11H	Backplate	1	60482	4
17J	Gland Ring	1	60485	
17K	Stud	4	60888	
17M	Lockwasher	4	43-15	
17N	Nut	4	36-41	
* 80R	PTFE Gasket - Inboard; 1/8 Thick	1	60761	
* 80N	Seal Seat, Silicone Carbide	1	113673	
* 80N	Seal Seat, Ceramic	1	113674	
* 80N	Seal Seat, Tungsten Carbide	1	113672	
* 80N	Seal Seat, Siliconized Graphite	1	60375	
* 80P	PTFE Gasket - Outboard; 1/16 Thick	2	60378	

PL5050-CH7

C-218 / C-328 DG SEAL

ITEM NO.	DESCRIPTION	QTY. PER PUMP	PART NO.	NOTES
11H	Backplate	1	60483	4
17J	Gland Ring	1	60486	
17K	Stud	4	60888	
17M	Lockwasher	4	43-15	
17N	Nut	4	36-41	
* 80R	PTFE Gasket - Inboard; 1/8 Thick	1	60762	
* 80N	Seal Seat, Silicone Carbide	1	113676	
* 80N	Seal Seat, Ceramic	1	113677	
* 80N	Seal Seat, Tungsten Carbide	1	113675	
* 80N	Seal Seat, Siliconized Graphite	1	60376	
* 80P	PTFE Gasket - Outboard; 1/16 Thick	2	60379	

PL5050-CH8

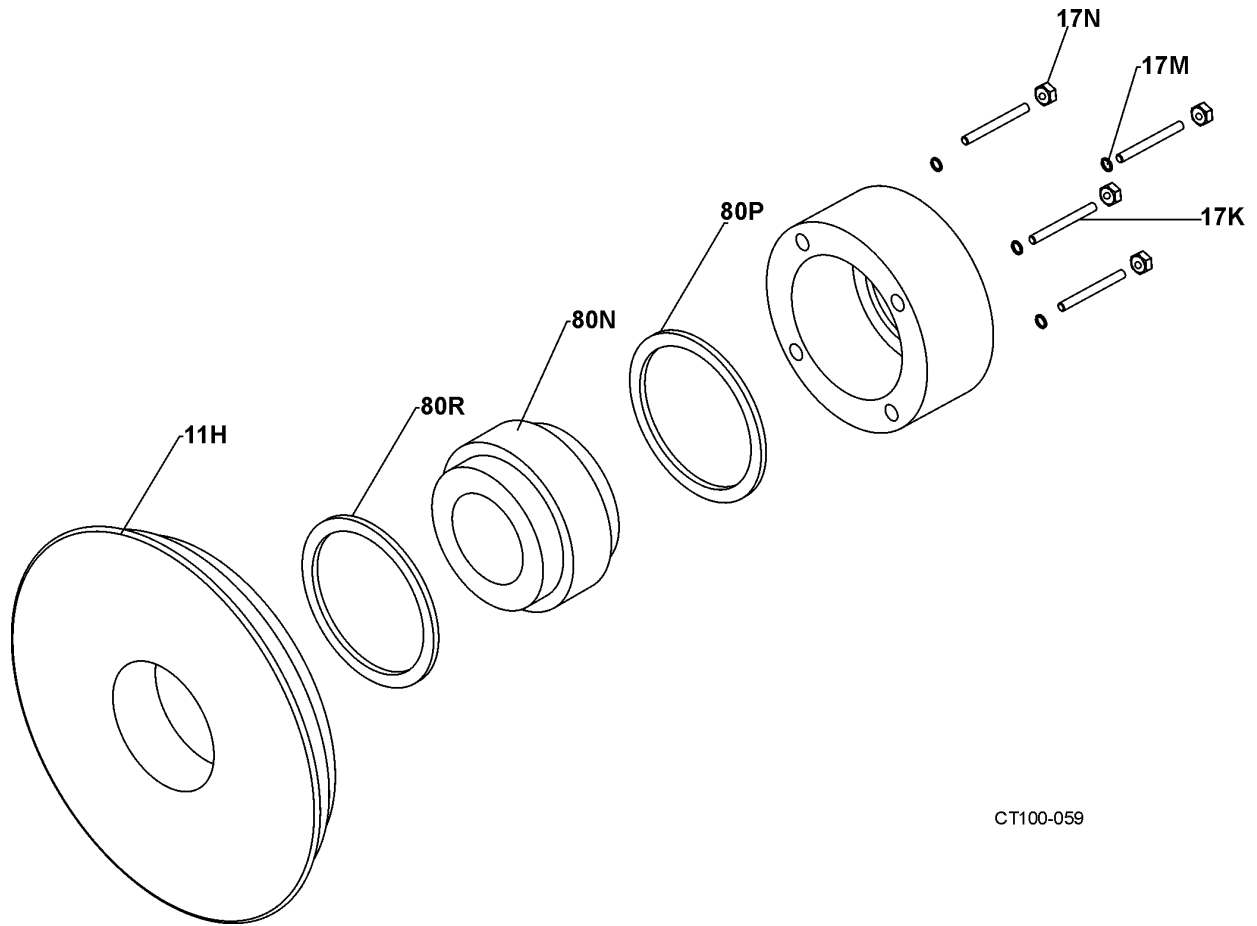
NOTES:

Price of each F.O.B. Delavan, WI, subject to change without notice.

* Recommended Spare Parts

4. Contact factory if passivation or special optional finish is required.

DG SEAL PARTS DIAGRAM



CT100-059

E SEAL PARTS LIST

C-114 E SEAL

ITEM NO.	DESCRIPTION	QTY. PER PUMP	PART NO.	NOTES
11B	Backplate	1	60487	4
17	Follower	1	60490	
17A	Screw	4	30-587	
* 17B	O-Ring, Buna N	1	N70033	
* 17B	O-Ring, FKM	1	V70033	
17C	Lockwasher	4	43-22	
* 80	Seal, Carbon	2	60085	
* 80B	O-Ring, Buna N	2	N70210	
* 80B	O-Ring, FKM	2	V70210	
80G	Cup	2	60493	
80H	Spring	1	60496	
80J	Drive Collar	1	60499	
80M	Set Screw	2	30-629	
83C	Stuffing Box	1	60502	
83D	Screw	4	30-131	
* 83E	O-Ring, Buna N	1	N70034	
* 83E	O-Ring, FKM	1	V70034	
83F	Lockwasher	4	43-21	

PL5050-CH9

C-216 E SEAL

ITEM NO.	DESCRIPTION	QTY. PER PUMP	PART NO.	NOTES
11B	Backplate	1	60488	4
17	Follower	1	60491	
17A	Screw	4	30-29	
* 17B	O-Ring, Buna N	1	N70034	
* 17B	O-Ring, FKM	1	V70034	
17C	Lockwasher	4	43-15	
* 80	Seal, Carbon	2	60086	
* 80B	O-Ring, Buna N	2	N70216	
* 80B	O-Ring, FKM	2	V70216	
80G	Cup	2	60494	
80H	Spring	1	60497	
80J	Drive Collar	1	60500	
80M	Set Screw	2	30-589	
83C	Stuffing Box	1	60503	
83D	Screw	4	30-587	
* 83E	O-Ring, Buna N	1	N70037	
* 83E	O-Ring, FKM	1	V70037	
83F	Lockwasher	4	43-22	

PL5050-CH10

NOTES:

Price of each F.O.B. Delavan, WI, subject to change without notice.

* Recommended Spare Parts

4. Contact factory if passivation or special optional finish is required.

E SEAL PARTS LIST CON'T AND DIAGRAM

C-218 / C-328 E SEAL

ITEM NO.	DESCRIPTION	QTY. PER PUMP	PART NO.	NOTES
11B	Backplate	1	60489	4
17	Follower	1	60492	
17A	Screw	4	30-29	
* 17B	O-Ring, Buna N	1	N70038	
* 17B	O-Ring, FKM	1	V70038	
17C	Lockwasher	4	43-15	
* 80	Seal, Carbon	2	60087	
* 80B	O-Ring, Buna N	2	N70222	
* 80B	O-Ring, FKM	2	V70222	
80G	Cup	2	60495	
80H	Spring	1	60498	
80J	Drive Collar	1	60501	
80M	Set Screw	2	30-589	
83C	Stuffing Box	1	60504	
83D	Screw	4	30-590	
* 83E	O-Ring, Buna N	1	N70153	
* 83E	O-Ring, FKM	1	V70153	
83F	Lockwasher	4	43-15	

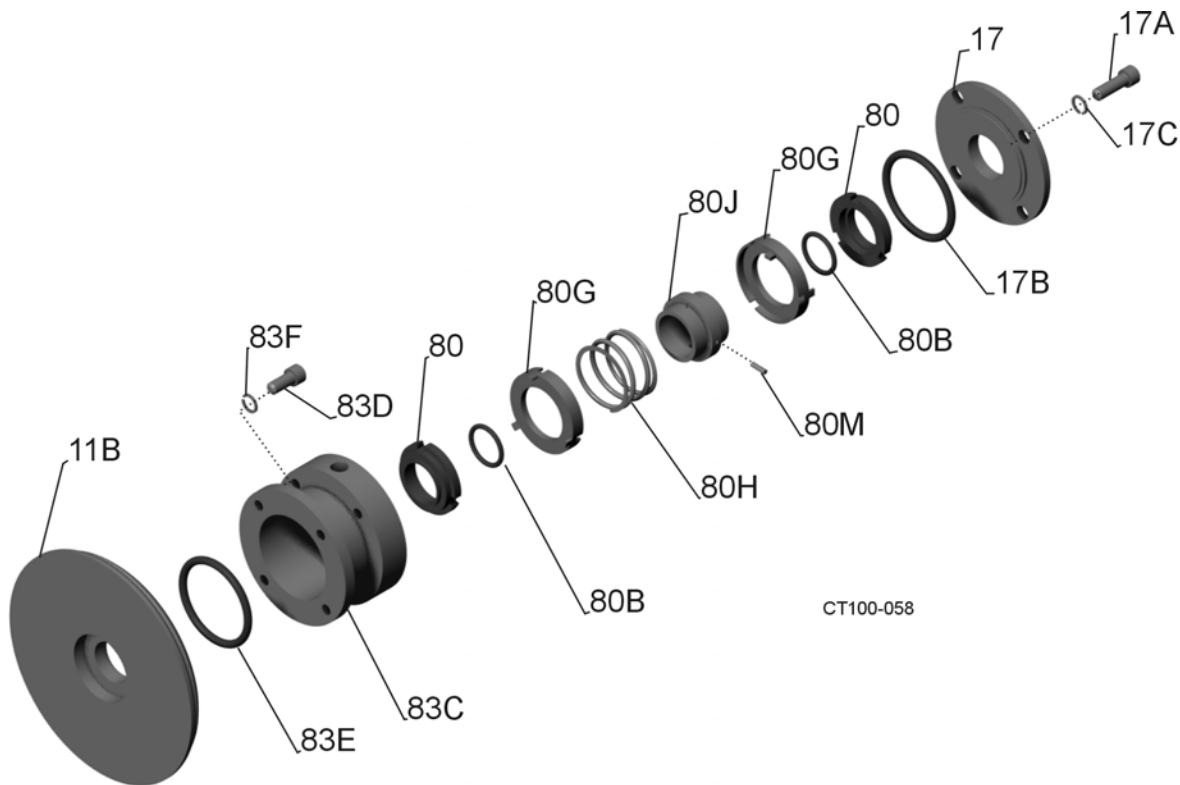
PL5050-CH11

NOTES:

Price of each F.O.B. Delavan, WI, subject to change without notice.

*** Recommended Spare Parts**

4. Contact factory if passivation or special optional finish is required.



C SERIES KIT PARTS LIST**C SERIES KIT #1**

ITEM NO.	DESCRIPTION	QTY. REQ. PER PUMP	QTY IN KIT #1	C-100	C-114	C-216	C-218 C-328
24	Impeller Retainer	1	1	60039	60039	60040	60041
80	Seal, Carbon	1	1	60084	60085	60086	60087
80B	Seal, O-Ring, Buna N	1	1	N70214	N70210	N70216	N70222
	Seal, O-Ring, FKM			or V70214	or V70210	or V70216	or V70222
90	Gasket, Casing, Buna N	1	1	N70153	60099	60101	60103
	Gasket, Casing, FKM			or V70153	or 60100	or 60102	or 60104
BUNA N KIT #1 PART NUMBER				60115	60116	60117	60118
FKM KIT #1 NUMBER				60119	60120	60121	60122

PL5050-CH12

C SERIES KIT #2

ITEM NO.	DESCRIPTION	QTY. REQ. PER PUMP	QTY IN KIT #2	C-100	C-114	C-216	C-218 C-328
80	Seal, Carbon	1	3	60084	60085	60086	60087
80B	Seal, O-Ring, Buna N	1	3	N70214	N70210	N70216	N70222
	Seal, O-Ring, FKM			or V70214	or V70210	or V70216	or V70222
90	Gasket, Casing, Buna N	1	3	N70153	60099	60101	60103
	Gasket, Casing, FKM			or V70153	or 60100	or 60102	or 60104
BUNA N KIT #2 PART NUMBER				60262	60263	60264	60265
FKM KIT #2 NUMBER				60266	60267	60268	60269

PL5050-CH13

C SERIES KIT #3

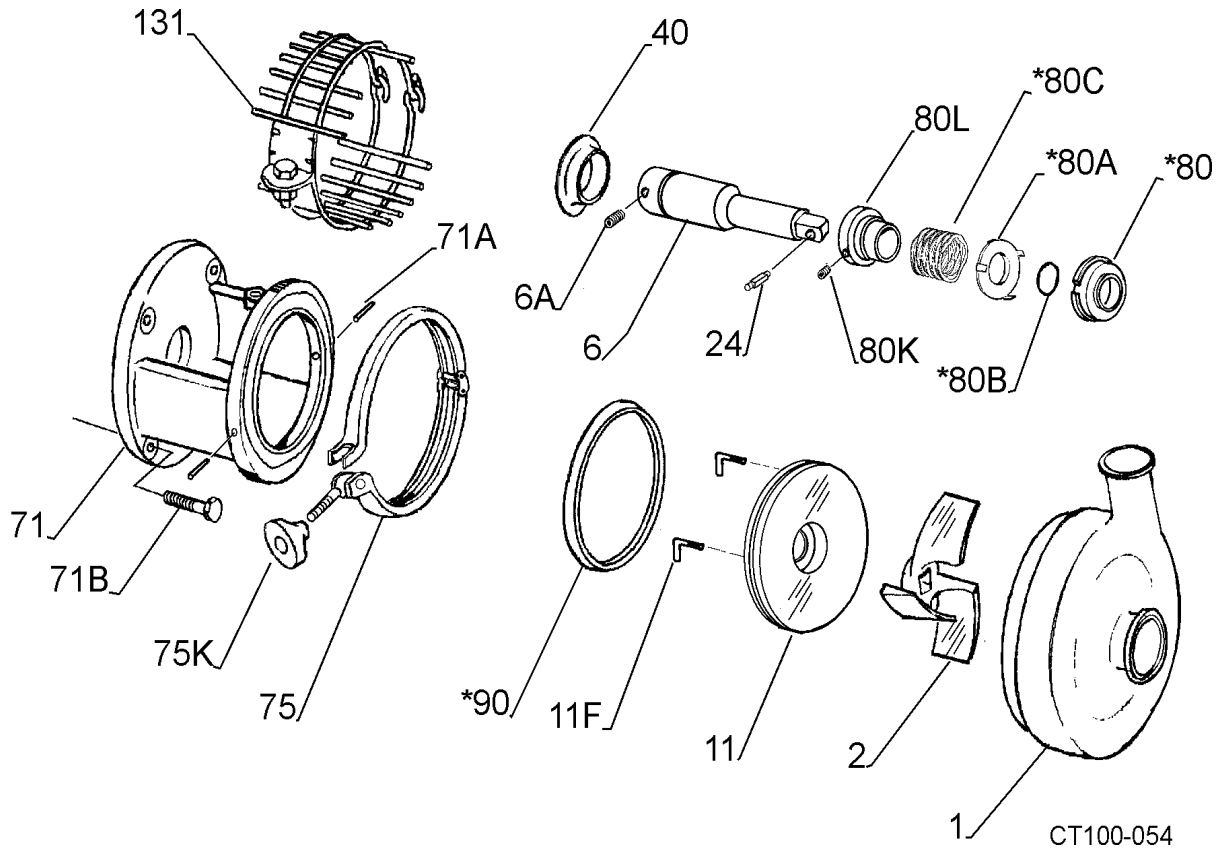
ITEM NO.	DESCRIPTION	QTY. REQ. PER PUMP	QTY. IN KIT #3	C-100	C-114	C-216	C-218 C-328
80	Seal, Carbon	1	1	60084	60085	60086	60087
80A	Cup	1	1	60088	60088	60089	60090
80B	Seal, O-Ring, Buna N	1	1	N70214	N70210	N70216	N70222
	Seal, O-Ring, FKM			or V70214	or V70210	or V70216	or V70222
80C	Spring	1	1	60091	60091	60092	60093
BUNA N KIT #3 NUMBER				60123	60124	60125	60126
FKM KIT #3 NUMBER				60127	60128	60129	60130

PL5050-CH14

NOTES:

Price of each F.O.B. Delavan, WI, subject to change without notice.

C SERIES KITS PARTS DIAGRAM



Shown with stadard type "D" seal.

For other optional seals see "Type 'E' Water Cooled Double Balanced Seal Option" on pages 13 & 14 and "Type 'DG' Seal Assembly Option" on pages 11 & 12.

www.spxprocessequipment.com

***Online support is
a mouse click away***



Get results.



24 Hour Access to the latest materials:

- ❑ *Operation & Maintenance Manuals*
- ❑ *Industry Applications*
- ❑ *Material Test Reports*
- ❑ *Contact Information*
- ❑ *Literature Support*
- ❑ *Product Offerings*

Downloads Available For Virtually All WCB Literature!

SPX Process Equipment

611 Sugar Creek Road • Delavan, WI 53115 USA

Phone: (800) 252-5200 or (262) 728-1900 **Fax:** (800) 252-5012 or (262) 728-4904

Website: www.spxprocessequipment.com **Email:** info@processequipment.spx.com

PL5050