



## 3-Piece / Enclosed Cap Bolt Design Stainless Steel Ball Valve



Conforms to API 598, API 607 4th Edition  
ANSI B16.34, MSS SP-110, SP-61, SP-82



**T-SS-2001N-4B**

### Description

1/4 turn, latch-lock, lever handle operated, CF8M stainless steel body with 316 stainless steel ball and stem, standard port, blow-out proof stem, and 3-piece body design.

### Features

- Standard port
- Pressure rating: 2000 WOG/150 WSP
- Latch lock handle
- Hostaflo<sup>®</sup>-TFM 1600 seats & stem packing
- Reversible handle for multiple applications
- 316 stainless steel ball & stem
- Solid ball construction
- Blow out proof stem
- Temperature range -40°F to +366°F
- Latch lock may be locked in open or closed position
- ISO 5211 mounting pad for actuation
- NPT on socket weld connections

### Approvals

- UL listed MHKZ, YQNZ, YRBX, TRPV (UL 842), YSDT (UL 125)
- API 607 (4th edition) - fire safe rated
- Conforms to API 598
- ANSI B16.34
- MSS SP-110, SP-61, SP-82

### Accessories

- Available with pneumatic/electric actuator
- Reversible handle

### Warranty

The Company, for a period of one year from the date of shipment, warrants each product or system of its own manufacture to the original purchaser to be free from defects in material and workmanship under normal use, service and maintenance.

#### Architect/Engineer approval

Job Name \_\_\_\_\_ Date \_\_\_\_\_  
Model Specified \_\_\_\_\_ Quantity \_\_\_\_\_  
Variations Specified \_\_\_\_\_  
Customer/Wholesaler \_\_\_\_\_  
Contractor \_\_\_\_\_  
Architect \_\_\_\_\_

Note: Information subject to change without notice.



Jomar International Ltd.  
7243 Miller Drive  
Warren, MI 48092  
Phone: 800-325-5690  
Fax: 800-628-4194  
www.jomar.com

## 3-Piece / Enclosed Cap Bolt Design Stainless Steel Ball Valve



### Description

1/4 turn, latch-lock, lever handle operated, CF8M stainless steel body with 316 stainless steel ball and stem, standard port, blow-out proof stem, and 3-piece body design.

### Dimensions in Inches

Computer No.	Valve Size	A	B	C	D
<b>THREADED</b>					
601-603	1/2"	2.71	0.43	2.26	4.07
601-604	3/4"	2.94	0.57	2.44	4.07
601-605	1"	3.51	0.81	2.87	4.90
601-606	1-1/4"	3.90	0.98	3.64	6.00
601-607	1-1/2"	4.43	1.25	3.46	7.78
601-608	2"	5.09	1.50	3.70	7.78
<b>SOCKET-WELD</b>					
601-623	1/2"	2.71	0.43	2.26	4.07
601-624	3/4"	2.94	0.57	2.44	4.07
601-625	1"	3.51	0.81	2.87	4.90
601-626	1-1/4"	3.90	0.98	3.64	6.00
601-627	1-1/2"	4.43	1.25	3.46	7.78
601-628	2"	5.09	1.50	3.70	7.78

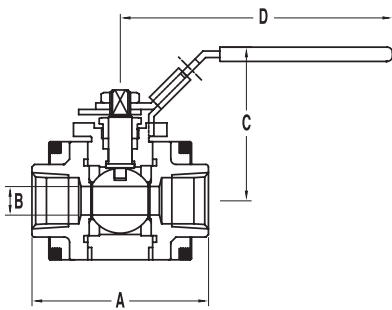
### Material Specification

Item	Part Name	Material Specifications
1	Bolts	CLS/12.9
2	Body Caps (2)	CF8M
3	Body Seals	Hostaflo®-TFM 1600/Graphite
4	Seats	Hostaflo®-TFM 1600
5	Ball	CF8M/316
6	Body	CF8M
7	Stop Screw	304 Stainless Steel
8	Stem	316 Stainless Steel
9	Stem Packing	Hostaflo®-TFM 1600
10	Stem Seal	Hostaflo®-TFM 1600/Graphite
11	Packing Gland	304 Stainless Steel
12	Stop Plate	304 Stainless Steel
13	Lever Handle	304 Stainless Steel
14	Plastic Coating	Vinyl
15	Handle Nut	304 Stainless Steel

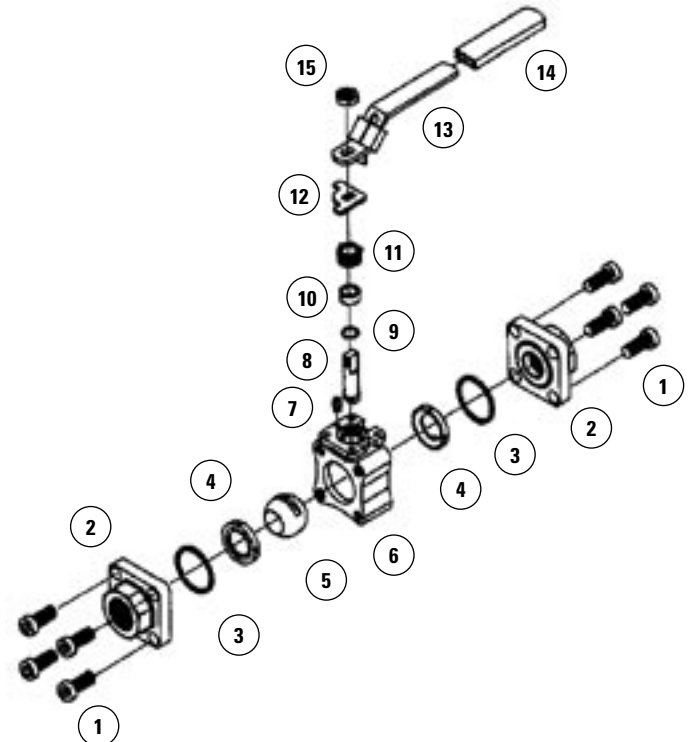
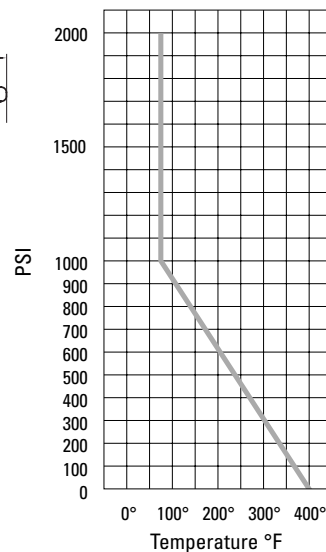
Item 8,10 Graphite for fire safe use

### Pressure Rating

2000 WOG  
150 WSP



Valve Seat Rating



Note: Information subject to change without notice.



Jomar International Ltd.  
7243 Miller Drive  
Warren, MI 48092  
Phone: 800-325-5690  
Fax: 800-628-4194  
www.jomar.com